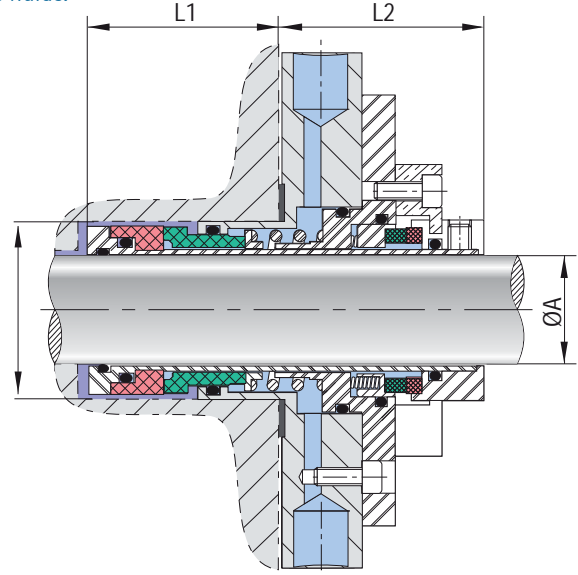




# TIPO 250 SELLO ESTACIONARIO CARTUCHO PARA TRABAJO PESADO

## TYPE 250 HEAVY DUTY STATIONARY CARTRIDGE SEAL

+ This balanced stationary cartridge seal designed for heavy duty applications utilizes a stationary strong spring which is isolated from the product. This seal provides the answer for a wide range of duties as sealing water, paper and pulp, chemical, abrasive products and high viscous fluids.



### MATERIALES

- **CUERPO DEL SELLO:** AISI 316.
- **CARAS LADO ATMOSFERA :** Carbón grado químico o metalizado, Carburo de Silicio (RB), Carburo de Tungsteno (Ni).
- **CARAS LADO PRODUCTO:** Carburo de Silicio (RB), Carburo de Tungsteno (Ni), Carbón grado químico o metalizado.
- **ELASTÓMEROS:** Viton®, EPR, Kalrez®, AFLAS®, Chemraz®.
- **RESORTE:** AISI 316, AISI 302.
- **TORNILLOS PRISIONEROS:** AISI 316.

### MATERIALS

- **SEAL BODY:** AISI 316.
- **OUTBOARD FACES:** Chemical grade or metallized carbon, Silicon Carbide (RB), Tungsten Carbide (Ni).
- **INBOARD FACES:** Silicon Carbide (RB), Tungsten Carbide (Ni), Ceramic.
- **ELASTOMERS:** Viton®, EPR, Kalrez®, AFLAS®, Chemraz®.
- **SPRING:** AISI 316, AISI 302.
- **SET SCREWS:** AISI 316.

### VENTAJAS

- Hidráulicamente balanceado
- Fácil instalación
- Diseño estacionario
- De gran arrastre positivo
- Estable a altas velocidades

### BENEFITS

- Hydraulic balanced
- Easy installation
- Stationary Design
- Positive drive mechanism
- Stability in high velocities

### RANGOS DE OPERACIÓN

**PRESIÓN:** Vacío a 400 psig (27 bar)

**TEMPERATURA:** -20°F a 450°F (-29°C a 232°C) dependiendo del material del o`ring

**VELOCIDAD:** 5000 fpm (25m/s)

### OPERATING RANGES

**PRESSURE:** Vacuum to 400 psig (27 bar)

**TEMPERATURE:** -20°F up to 450°F (-29°C up to 232°C) depending on the elastomer

**VELOCITY:** 5000 fpm (25m/s)

EJE SHAFT Ø A		DIAMETRO EXTERNO OUTSIDE DIAMETER Ø B		LONGITUD LENGTH			
				L1		L2	
Inch	mm	Inch	mm	Inch	mm	Inch	mm
1"	24	1,800	45.72	1,250	31.75	2,375	60.33
	25	1,800	45.72	1,250	31.75	2,375	60.33
1-1/8"	28	1,925	48.90	1,250	31.75	2,375	60.33
	30	1,960	49.78	1,250	31.75	2,375	60.33
1-1/4"	32	1,960	49.78	1,250	31.75	2,375	60.33
	33	2,085	52.96	1,500	38.10	2,375	60.33
1-3/8"	35	2,085	52.96	1,500	38.10	2,375	60.33
1-1/2"	38	2,205	56.01	1,500	38.10	2,375	60.33
1-5/8"	40	2,395	60.83	1,500	38.10	2,500	63.50
	43	2,510	63.75	1,500	38.10	2,500	63.50
1-3/4"	45	2,510	63.75	1,500	38.10	2,500	63.50
1-7/8"	48	2,630	66.80	1,625	41.28	2,500	63.50
2"	50	2,725	69.22	1,625	41.28	2,500	63.50
2-1/8"	54	2,885	73.28	1,625	41.28	2,500	63.50
2-1/4"	55	3,010	76.45	1,625	41.28	2,562	65.07
	58	3,120	79.25	1,625	41.28	2,562	65.07
2-3/8"	60	3,120	79.25	1,625	41.28	2,562	65.07
2-1/2"	63	3,265	82.93	1,625	41.28	2,562	65.07
2-5/8"	65	3,490	88.65	1,625	41.28	2,625	66.68
	68	3,810	96.77	1,625	41.28	2,625	66.68
2-3/4"	70	3,810	96.77	1,625	41.28	2,625	66.68
2-7/8"	73	3,935	99.95	1,625	41.28	2,625	66.68
3"	75	4,065	103.25	1,625	41.28	2,625	66.68
3-1/8"	78	4,190	106.43	1,625	41.28	2,625	66.68
3-1/4"	82	4,315	109.60	1,625	41.28	2,625	66.68
3-3/8"	83	4,440	112.78	1,625	41.28	2,625	66.68
	85	4,440	112.78	1,625	41.28	2,625	66.68
3-1/2"	88	4,565	115.95	1,625	41.28	2,625	66.68
3-5/8"	92	4,690	119.13	1,625	41.28	2,625	66.68
3-3/4"	93	4,810	122.17	1,625	41.28	2,625	66.68
	95	4,810	122.17	1,625	41.28	2,625	66.68
3-7/8"	98	4,935	125.35	1,625	41.28	2,625	66.68
4"	100	5,065	128.65	1,625	41.28	2,687	68.25