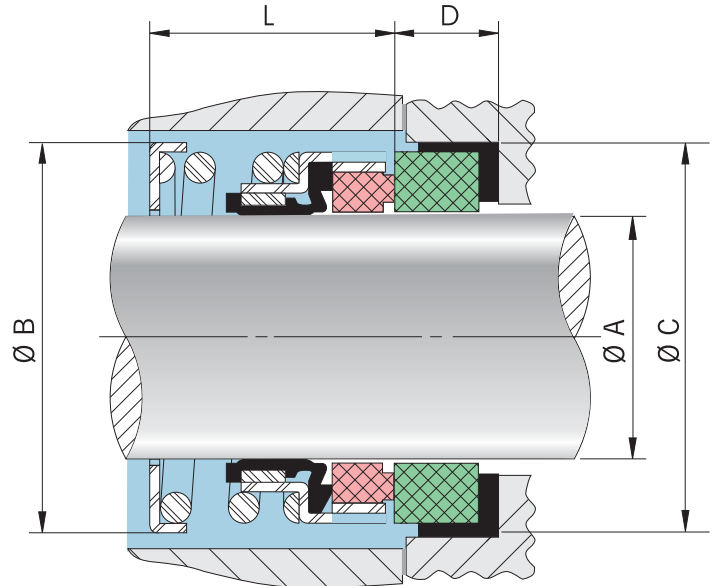


TIPO 21 SELLO FUELLE DE GOMA

TYPE 21 RUBBER BELLOW SEAL



- + Diseñado para sellar fluidos no abrasivos tales como: Agua doméstica, de riego, minería y otras similares. El modelo mejorado (Silicio, Silicio y Viton®) es apropiado para fluidos abrasivos y químicos medianamente agresivos.
- + Heavy duty Mechanical Seal for rotary and centrifugal pump application, single acting and positive drive. Universal seal for general applications. Silicon and tungsten carbide let seal abrasives and slurries.



MATERIALES

- **CUERPO DEL SELLO:** AISI 304.
- **CARA ROTATORIA:** Carbón, Carburo de Silicio (RB), Carburo de Tungsteno (Ni).
- **ASIENTO ESTACIONARIO:** Ceramica, Carburo de Silicio (RB), Carburo de Tungsteno (Ni).
- **ELASTÓMEROS:** Buna, Viton®, EPR.
- **RESORTES:** AISI 302.

MATERIALS

- **SEAL BODY:** AISI 304.
- **ROTARY FACE:** Carbon, Silicon Carbide (RB), Tungsten Carbide (Ni).
- **STATIONARY SEAT:** Ceramic, Silicon Carbide (RB), Tungsten Carbide (Ni).
- **ELASTOMERS:** Buna, Viton®, EPR.
- **SPRING:** AISI 302.

VENTAJAS

- Diseño simple
- Fácil de instalar
- Adaptable a la mayoría de bombas

BENEFITS

- Simple design
- Easy installation
- Most popular pumps

RANGOS DE OPERACIÓN

PRESIÓN: Hasta 180 psig (12 bar)

TEMPERATURA:

Hasta 212°F (100 °C) para Buna

Hasta 400°F (204 °C) para Viton®

VELOCIDAD: 2950 fpm (15m/s)

OPERATING RANGES

PRESSURE: Up to 180 psig (12 bar)

TEMPERATURE:

Up to 212°F (100 °C) for Buna

Up to 400°F (204 °C) for Viton®

VELOCITY: 2950 fpm (15m/s)

EJE SHAFT Ø A		DIAMETRO EXTERIOR OUTSIDE DIAMETER Ø B		CAJA COUNTERBORE Ø C		ALTURA ASIENTO SEAT HEIGHT D		LONGITUD DE OPERACION OPERATING LENGTH L	
Inch	mm	Inch	mm	Inch	mm	Inch	mm	Inch	mm
3/8"	10	0.815"	20.70	0.875"	22.23	0.284"	7.21	0.812"	20.62
1/2"	12	0.941"	23.90	1.000"	25.40	0.312"	7.93	0.812"	20.62
5/8"	14/16	1.051"	26.70	1.250"	31.75	0.405"	10.28	0.875"	22.22
3/4"	18	1.224"	31.10	1.375"	34.93	0.405"	10.28	0.875"	22.22
7/8"	20/22	1.315"	33.40	1.500"	38.10	0.405"	10.28	0.937"	23.80
1"	24/25	1.701"	43.20	1.625"	41.28	0.437"	11.10	1.000"	25.40
1 1/8"	28	1.823"	46.30	1.750"	44.44	0.437"	11.10	1.062"	26.97
1 3/16"	30	1.875"	47.63	1.875"	47.63	0.437"	11.10	1.062"	26.97
1 1/4"	32	1.945"	49.40	1.875"	47.63	0.437"	11.10	1.062"	26.97
1 3/8"	33/35	2.071"	52.60	2.000"	50.80	0.437"	11.10	1.125"	28.58
1 1/2"	38	2.197"	55.80	2.125"	53.98	0.437"	11.10	1.125"	28.58
1 5/8"	40	2.449"	62.20	2.375"	60.33	0.500"	12.70	1.375"	34.93
1 3/4"	43/44	2.598"	66.00	2.500"	63.50	0.500"	12.70	1.375"	34.93
1 7/8"	45	2.622"	66.60	2.625"	66.68	0.500"	12.70	1.500"	38.10
2"	48/50	2.874"	73.00	2.750"	69.85	0.500"	12.70	1.500"	38.10
2 1/8"	53	2.886"	73.30	3.000"	76.20	0.562"	14.28	1.688"	42.88
2 1/4"	55	3.087"	78.40	3.125"	79.38	0.562"	14.28	1.688"	42.88
2 3/8"	58/60	3.228"	82.00	3.250"	82.55	0.562"	14.28	1.812"	46.02
2 1/2"	63	3.343"	84.90	3.375"	85.73	0.562"	14.28	1.812"	46.02
2 5/8"	65	3.480"	88.40	3.375"	85.73	0.625"	15.90	1.937"	49.20
2 3/4"	68/70	3.646"	92.60	3.500"	88.90	0.625"	15.90	1.937"	49.20
2 7/8"	73	3.734"	94.85	3.750"	95.25	0.625"	15.90	2.062"	52.37
3"	75	4.012"	102.70	3.875"	98.43	0.625"	15.90	2.062"	52.37